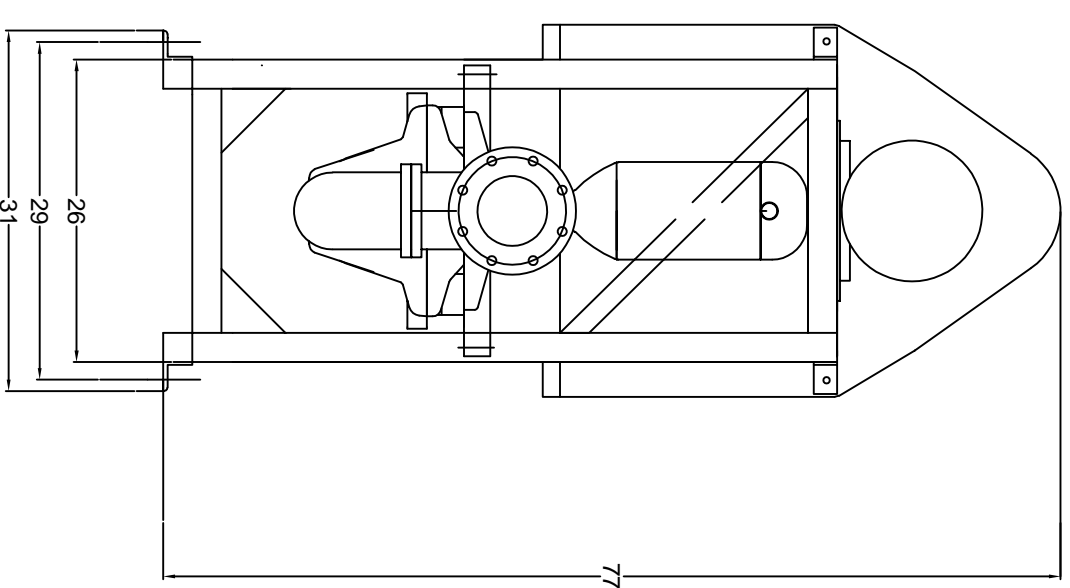
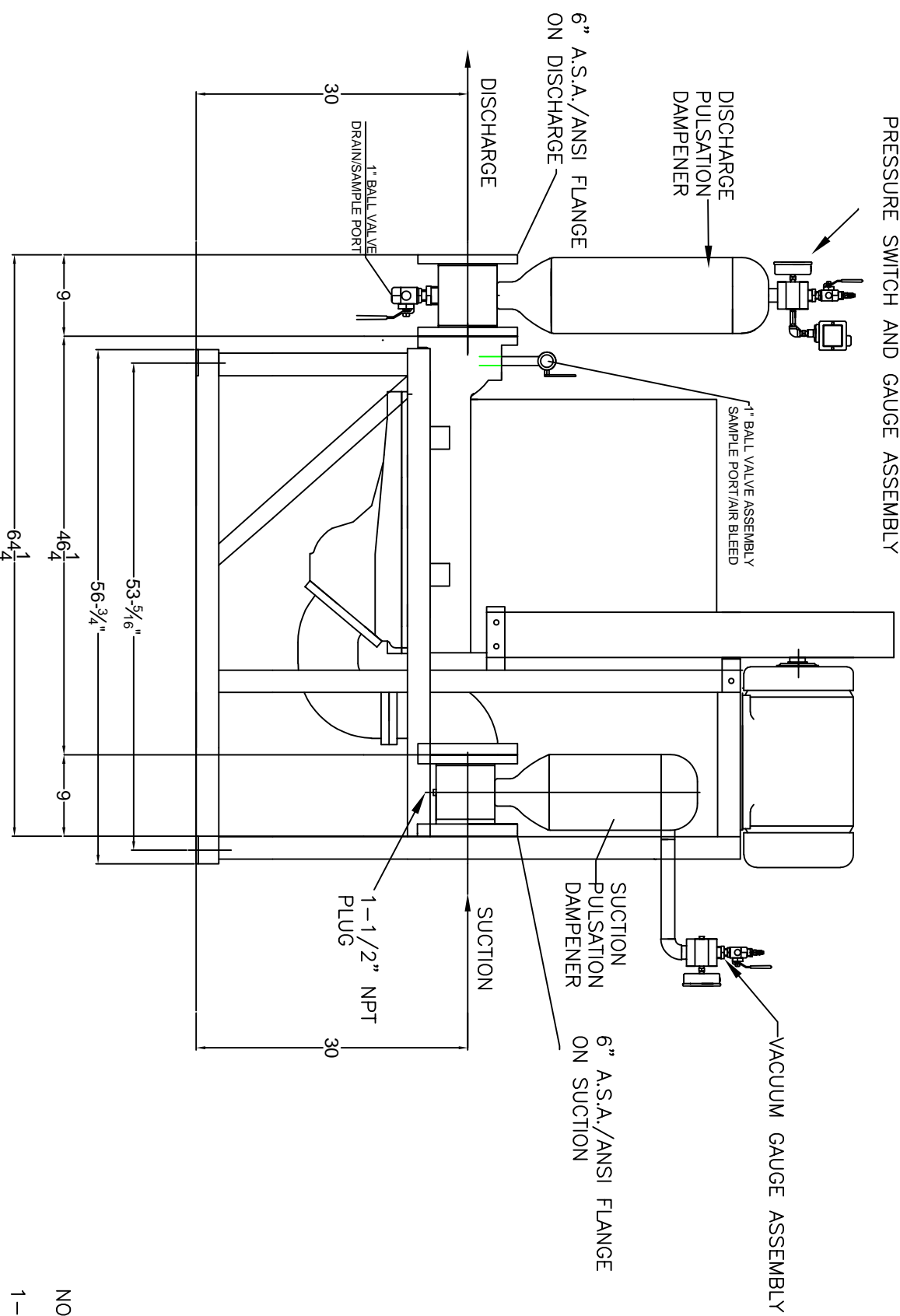
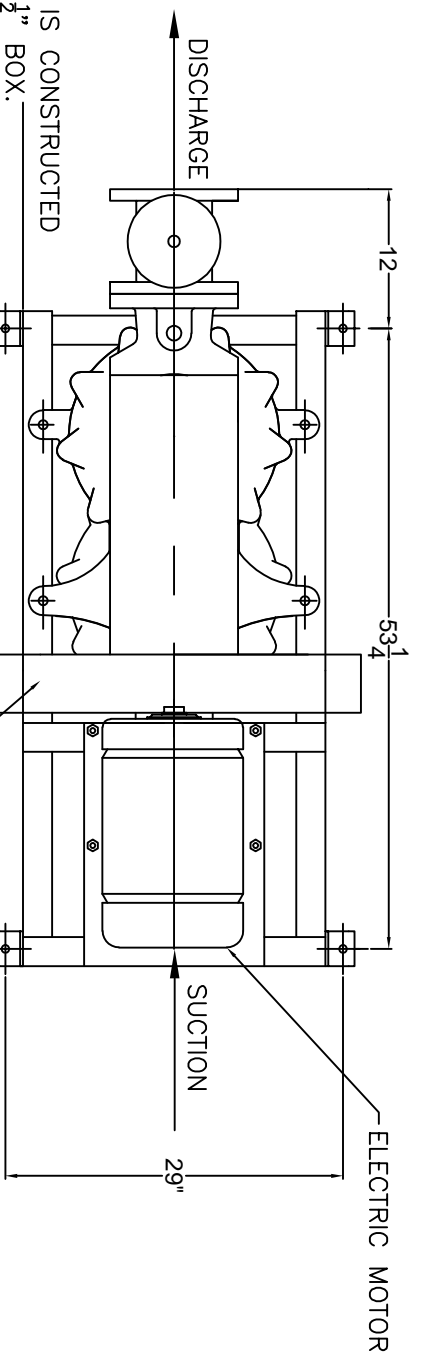


PRESSURE SWITCH AND GAUGE ASSEMBLY



- NOTES:
- 1- HEIGHTS SHOWN ARE PVP STANDARDS PUMP CENTERLINE HEIGHTS CAN BE RAISED OR LOWERED.
  - 2- SWITCHES AND DAMPENERS ARE OPTIONAL. CHECK BUILD SHEETS FOR EQUIPMENT SUPPLIED.
  - 3- FLEX JOINTS NOT RECOMMENDED
  - 4- WHEN INSTALLING PUMP KEEP AREA UNDER PUMP CLEAR FOR MAINTENANCE
  - 5- TO REMOVE BELT GUARD, 40-INCHES IS REQUIRED ABOVE THE PUMP. COVERS CAN BE SPLIT TO BE REMOVED HORIZONTALLY

PUMP FRAME IS CONSTRUCTED OF SS304 2 1/2" BOX.



(4) 1 1/16" DIA FOR 5/8" HOLD DOWN BOLTS

TOTAL EQUIP. WEIGHT = 2100 lbs  
WT. W/O DAMPENERS = 1900 LBS

NOTES MATERIAL: -----

REV	DESCRIPTION	DATE	BY
0	INITIAL RELEASE	9/16/2020	ABB
REVISION HISTORY			

THIS DRAWING AND ALL INFORMATION IS THE PROPERTY OF  
**Penn Valley Pump Co., Inc.**  
 998 EASTON ROAD - WARRINGTON, PA 18976  
 PHONE: (215) 343-8750 www.pennvalleypump.com

ALL INFORMATION CONTAINED IN THIS DOCUMENT IS BOTH CONFIDENTIAL AND PROPRIETARY TO PVP. NO LICENSE, EXPRESSED OR IMPLIED, UNDER ANY PATENT, COPYRIGHT, OR TRADE SECRET IS GRANTED OR IMPLIED BY THE CONVEYANCE OF THIS DOCUMENT. NO PART OF THIS DOCUMENT MAY BE REPRODUCED, TRANSMITTED, OR STORED IN A RETRIEVAL SYSTEM, TRANSLATED TO ANY LANGUAGE OR COMPUTER LANGUAGE, IN ANY FORM BY ANY MEANS ELECTRONIC, MECHANICAL, OR OTHERWISE.

CUSTOMER: Penn Valley Pump  
 LOCATION: Internal  
 TITLE: 6DDSX76 Piggy Back  
 SCALE: N/A  
 DATE: 9/17/2020  
 DR. BY: -  
 PLOT DATE: -  
 DRAWING NO. PVD728  
 SHEET 1 OF 1