

The World Leader in Free-Disc™ Pumping Technology



Model: 2DDSX05

Flow Range:	0 - 40 GPM
Displacement:	0.05 gal/rev
Operating Speeds:	0 - 400 RPM
Max Discharge Pressure:	43psi operating
Max Suction Lift:	25 ft
Connection:	2" 150# Flanged

Lower Wear = Longer Life

With a non-close tolerance design and no rubbing action to generate flow the Double Disc Pump offers the lowest life cycle cost of any positive displacement pump on the market.

Features and Benefits:



"Simple design"



Self-priming



Passes up to 1/2" solids



Two (2) year warranty



Made in the USA



Runs dry without damage



Low friction design



No check valves



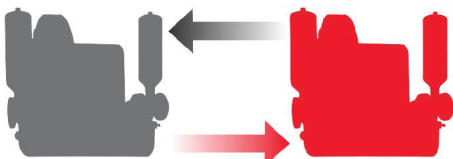
No routine maintenance



Seal-less design

THE ULTIMATE IN SLUDGE PUMPS™

Swap-Your-Pump



A unique trial program that lets you try before you buy.
Contact us today to swap-your-pump.

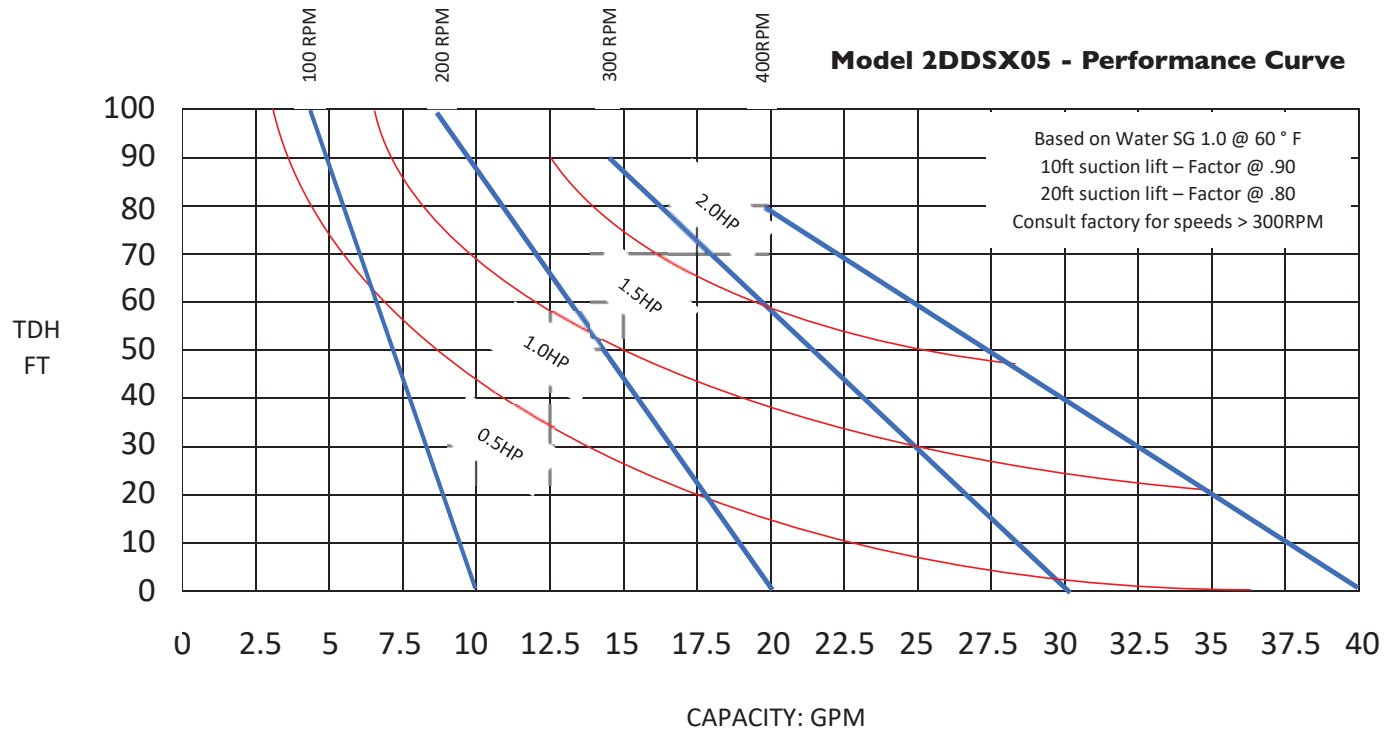
info@pennvalleypump.com

215-343-8750

Warrington, PA 18976

www.pennvalleypump.com



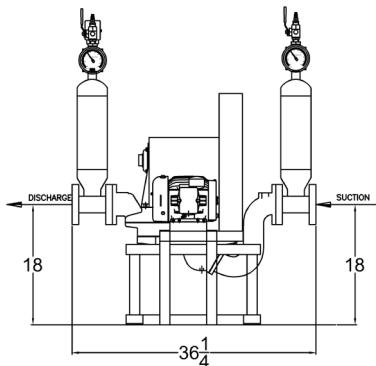


Materials of Construction:

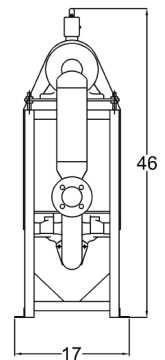
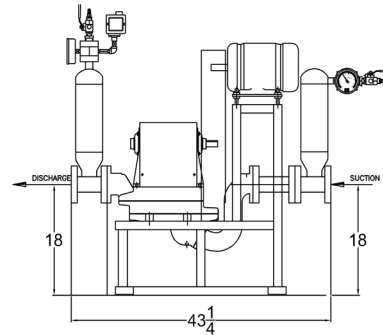
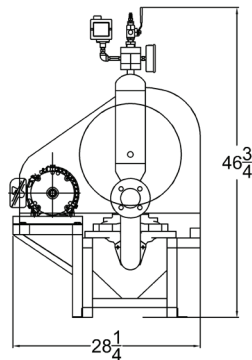
	Standard	Optional:
Housings:	Cast Iron	Linings: Porcelain Glass, Neoprene, Powder Coat, Soft PVC, Tungsten Carbide
Discs & Trunnions:	Neoprene -10° to +200°F	Buna-N +10° to +180° F, EPDM +10° to +200°F, HNBR +10° to +220° F, Viton -40° to +350° F
Connecting Rods:	Aluminum	
Drive Shaft:	High-Tensile 416 Stainless Steel	
Eccentric Cams:	High-Tensile Bronze Alloy	
Bearing Pedestals:	Aluminum	
Frame & Covers:	304 Stainless Steel	316 Stainless Steel

Drive System Options:

	Standard	Optional:
Static:	Electric motor, belt and pulley	Gearmotor, air or hydraulic motor
Portable:	Electric, Gas or Diesel Engine	



Side Motor Mount



Piggy-Back Motor Mount