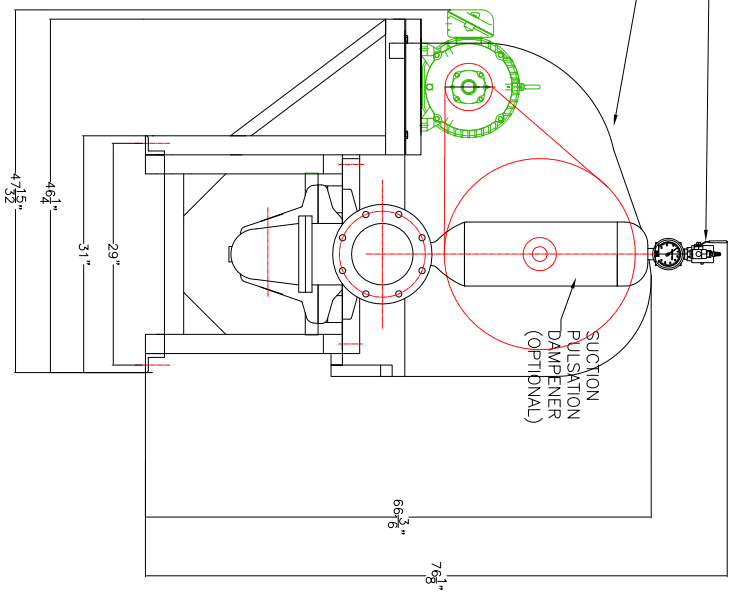
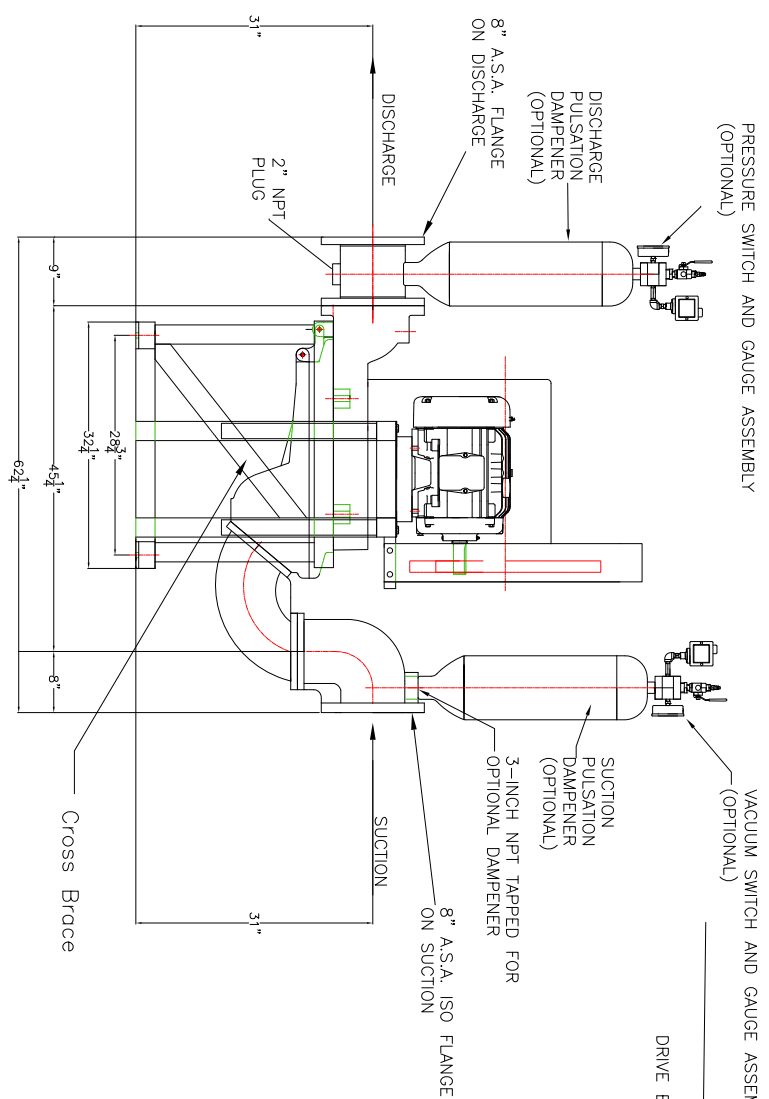
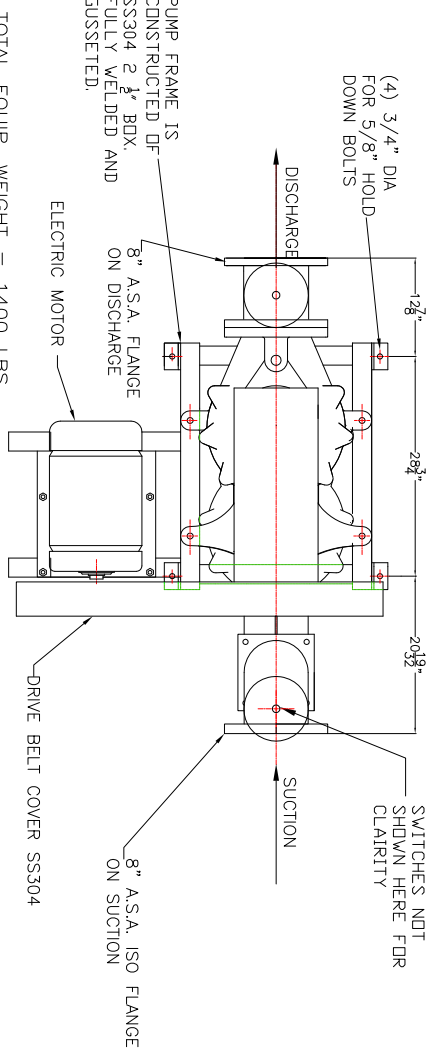


PUMP FRAME IS CONSTRUCTED OF SS304 2 1/4" BDY. FULLY WELDED AND GUSSETED.

TOTAL EQUIP. WEIGHT = 1400 LBS  
WT. W/O DAMPENERS = 1180 LBS




- NOTES:
- 1- HEIGHTS SHOWN ARE PVP STANDARDS PUMP CENTERLINE HEIGHTS CAN BE RAISED OR LOWERED.
  - 2- SWITCHES AND DAMPENERS ARE OPTIONAL. CHECK BUILD SHEETS FOR EQUIPMENT SUPPLIED.
  - 3- FLEX JOINTS NOT RECOMMENDED
  - 4- WHEN INSTALLING PUMP KEEP AREA UNDER PUMP CLEAR FOR MAINTENANCE
  - 5- SWAN NECK CAN ROTATE 90° LEFT OF RIGHT
  - 6- MOTOR CAN BE MOUNTED ON THE RIGHT OR THE LEFT

TOLERANCES	
FRACT.	± 0.25
DEC.	± 0.25
ANG.	± 3°

REV.	DESCRIPTION	DATE	BY

THIS DRAWING AND ALL INFORMATION IS THE PROPERTY OF



**PENN VALLEY PUMP CO., INC.**  
998 EASTON ROAD - WARRINGTON, PA 18976  
PHONE: (215) 343-8750 FAX: (215) 343-8753

ALL INFORMATION CONTAINED IN THIS DOCUMENT IS BOTH CONFIDENTIAL AND PROPRIETARY TO PVP. NO LICENSE, EXPRESS OR IMPLIED, UNDER ANY PATENT, COPYRIGHT, OR OTHER RIGHT OF THE DOCUMENT MAY BE REPRODUCED, TRANSMITTED, TRANSCRIBED, STORED IN A RETRIEVABLE SYSTEM, OR BY ANY INFORMATION STORAGE AND RETRIEVAL SYSTEM, WITHOUT THE WRITTEN PERMISSION OF PVP.

CUSTOMER: PROJECT 8" DOUBLE DISC SIDE MOUNT UNIT WITH 8" PULSATION DAMPENERS.

SCALE: 1/4" = 1"

DATE: 5/23/08  
DIB BY: J. WATTS  
PLOT DATE:

DRAWING NO. PVD 795  
SHEET 1 OF 1  
REV. C