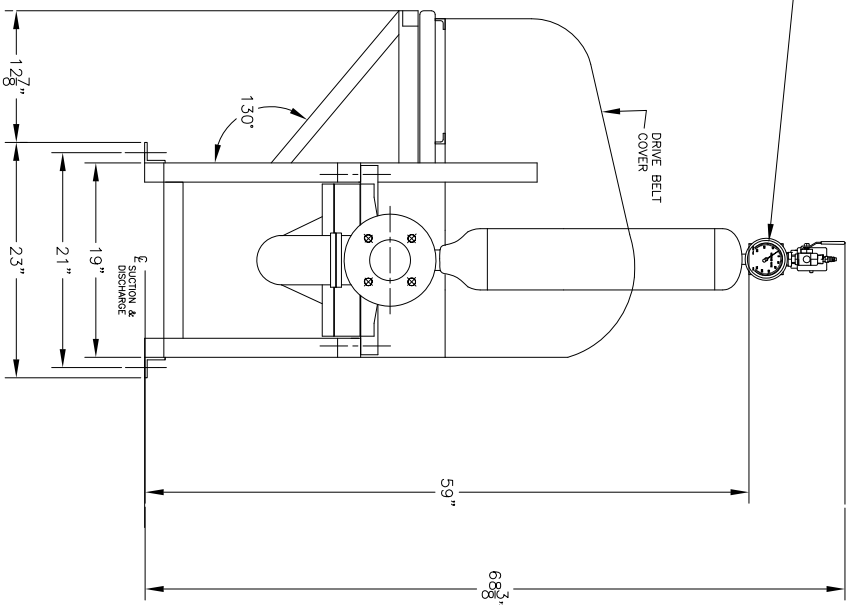
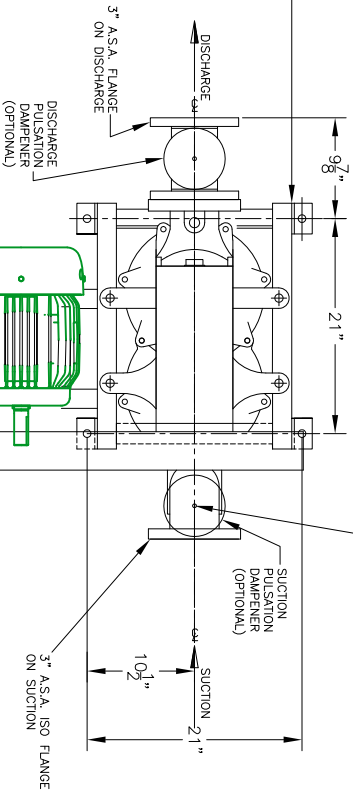


SWITCHES NOT SHOWN HERE FOR CLARITY



Frame constructed of SSS304 2-inch Box

TOTAL EQUIP. WEIGHT = 875 LBS
WT. W/O DAMPENERS = 725 LBS



- NOTES:
- 1- HEIGHTS SHOWN ARE PVP STANDARDS PUMP CENTERLINE HEIGHTS CAN BE RAISED OR LOWERED.
 - 2- SWITCHES AND DAMPENERS, ARE OPTIONAL. CHECK BUILD SHEETS FOR EQUIPMENT SUPPLIED.
 - 3- FLEX JOINTS NOT RECOMMENDED
 - 4- WHEN INSTALLING PUMP KEEP AREA UNDER PUMP CLEAR FOR MAINTENANCE
 - 5- MOTOR CAN BE MOUNTED ON THE RIGHT OR LEFT SIDE

REV	DESCRIPTION	REVISION HISTORY	DATE	BY



THIS DRAWING AND ALL INFORMATION IS THE PROPERTY OF
PENN VALLEY PUMP CO., INC.
998 EASTON ROAD - WARRINGTON, PA 18976
PHONE: (215) 343-8750 FAX: (215) 343-8753

ALL INFORMATION CONTAINED IN THIS DOCUMENT IS SOLELY CONFIDENTIAL AND PROPRIETARY TO PVP. NO DISCLOSURE, REPRODUCTION, OR ANY OTHER USE OF THIS INFORMATION IS PERMITTED WITHOUT THE WRITTEN CONSENT OF PVP. ANY UNAUTHORIZED DISCLOSURE, REPRODUCTION, OR USE OF THIS INFORMATION SHALL BE PROSECUTED TO THE FULL EXTENT OF THE LAW.

CUSTOMER: _____
LOCATION: _____
PROJECT: 3" MK 3 BELT DRIVE UNIT WITH PULSATION DAMPENERS

DRAWING NO. PVD 762
SHEET 1
REV. B